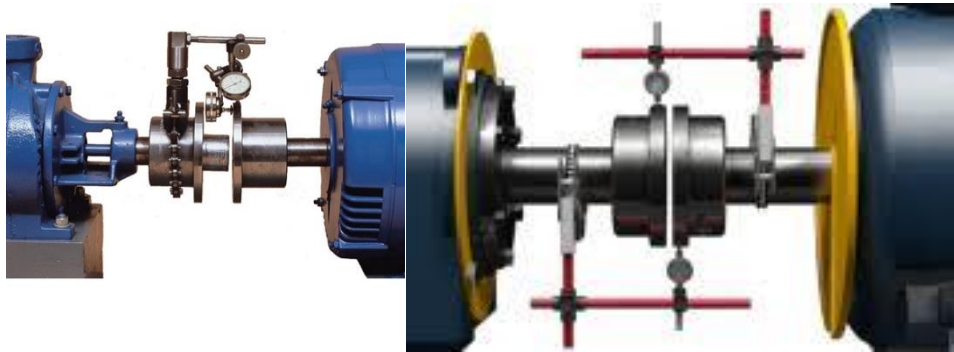
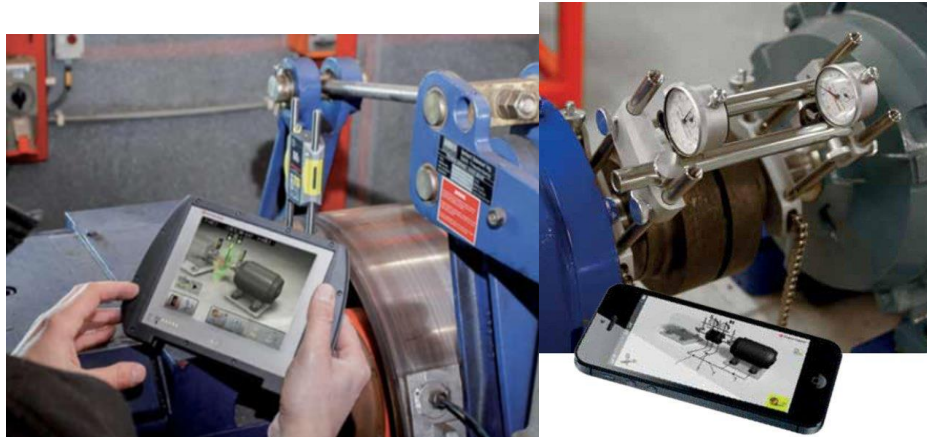


IMM Skills Ontario Sample Projects 2019

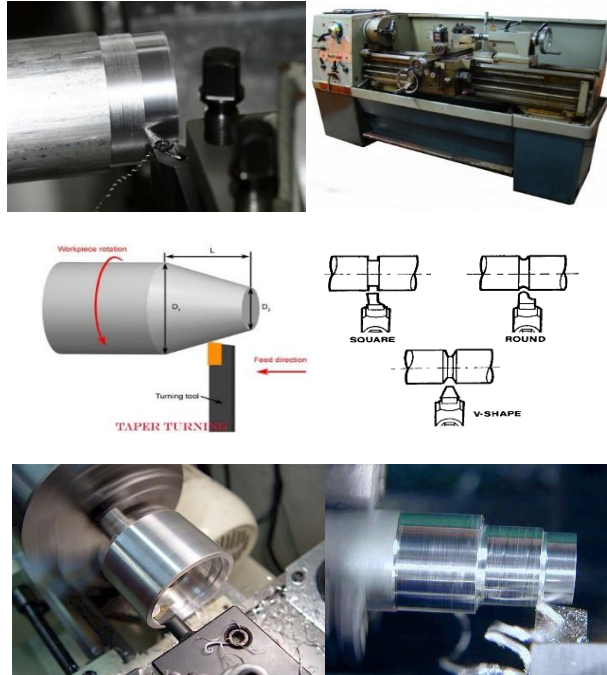


Examples of Shaft Alignment Challenge.

Fixturlaser NXA Pro alignment equipment will be used by the competitor to complete the above task if they choose the Laser. Fixturlaser Reverse Dial Kit will be available, as will normal Dial Kits for Rim & Face or Cross Dial Alignment, this will be the competitors choice.

All of the above are samples of the type of work you may be required to complete during the Skills Ontario IMM Competition 2019

IMM Skills Ontario Sample Projects 2019



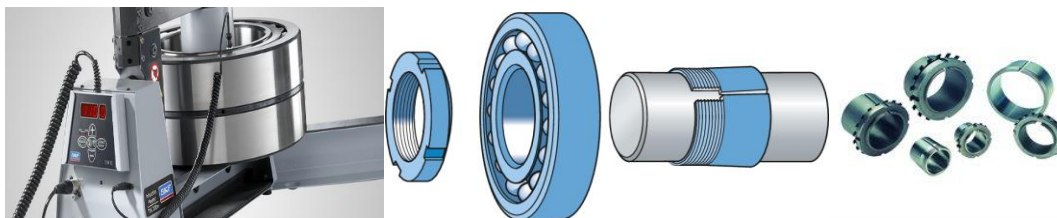
An example of a Centre Lathe and potential machining set-ups that may be used by the competitor for the machining challenge.

All of the above are samples of the type of work you may be required to complete during the Skills Ontario IMM Competition 2019

IMM Skills Ontario Sample Projects 2019



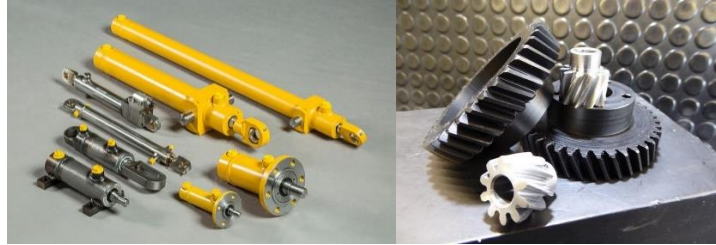
Examples of “Swagelok” Tube Bending Tools to be used by the competitor to complete the Stainless Steel Tube Bending Challenge.



Examples of Anti Friction Bearing Installations, Accessories and Tooling.
Bearing Installation Challenge

All of the above are samples of the type of work you may be required to complete during the Skills Ontario IMM Competition 2019

IMM Skills Ontario Sample Projects 2019



Examples of IMM Component and Part Identification and Precision Measurement Challenge that may be used in this part of the competition.

All of the above are samples of the type of work you may be required to complete during the Skills Ontario IMM Competition 2019