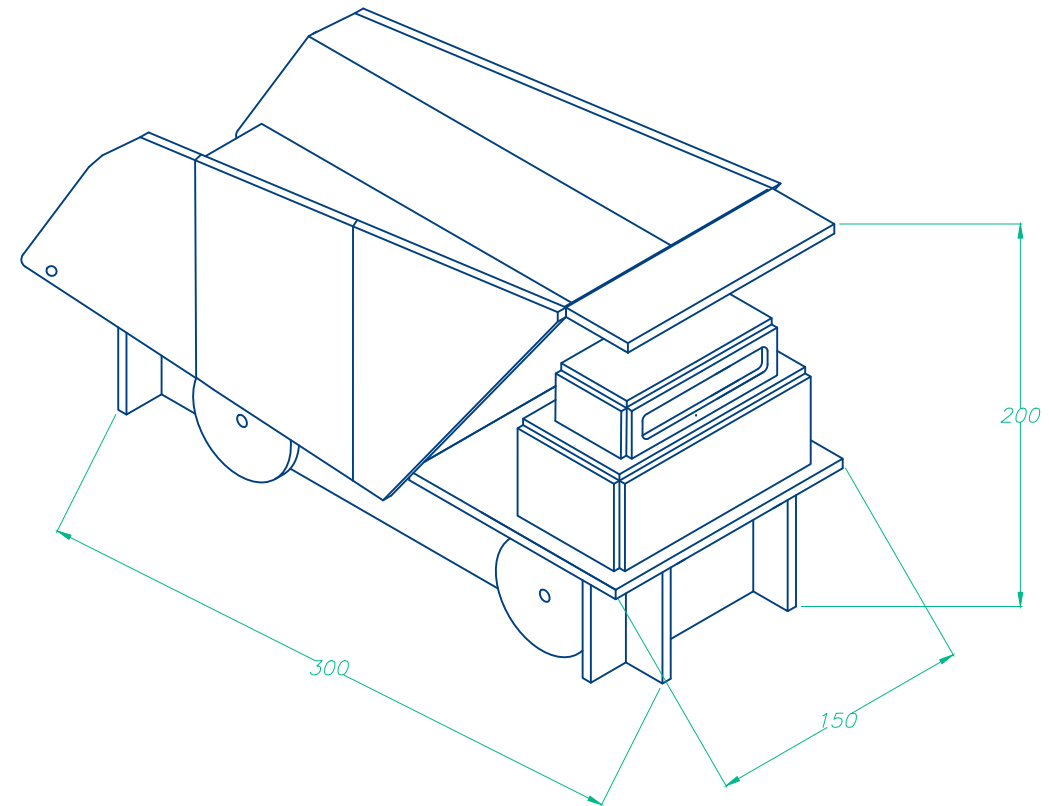
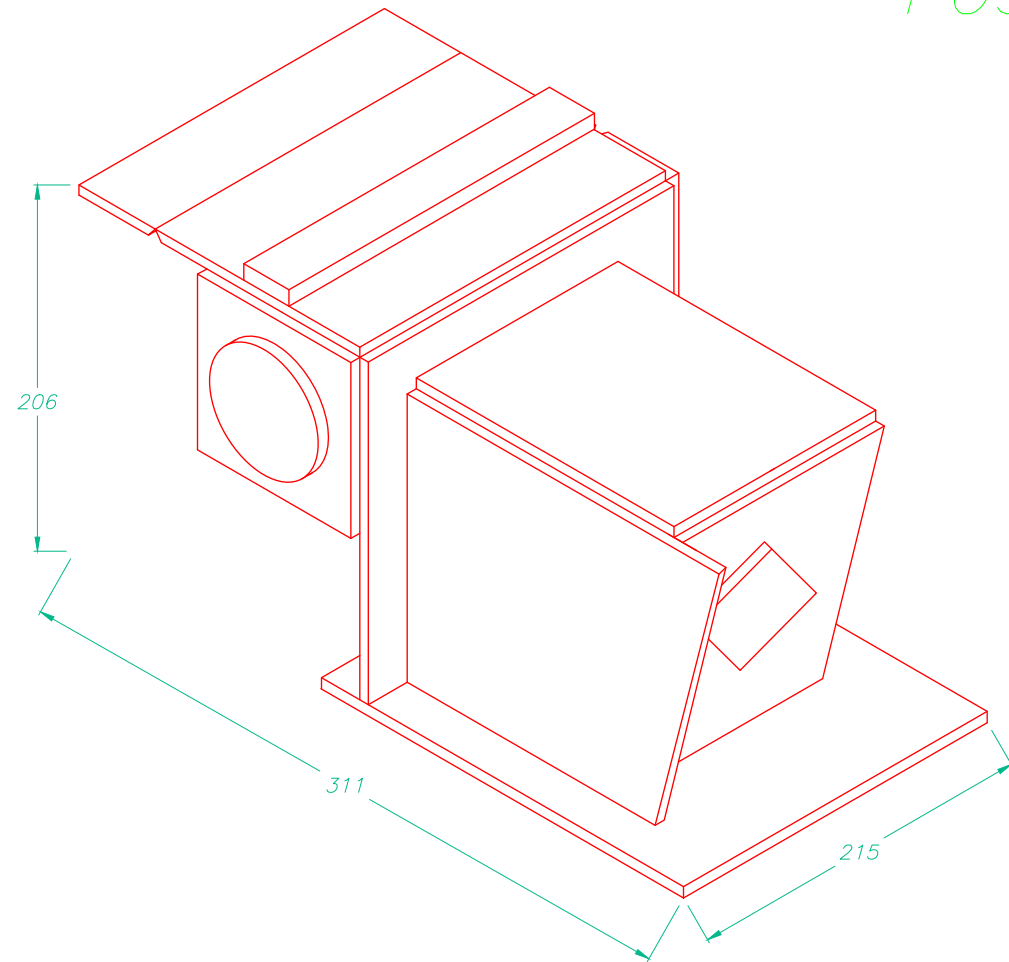


ONTARIO SKILLS COMPETITION 2019
WELDING PROJECTS
 POST SECONDARY

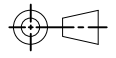


THE TECHNICAL COMMITTEE RESERVES THE RIGHT TO MAKE CHANGES TO THE PROJECT

DO NOT SCALE DRAWING



ALL DIMENSIONS IN **MILLIMETRES**

PART NAME: <i>SKILLS ONTARIO -POST SECONDARY</i>	SCALE: <i>NONE</i>	 DWG.NO.: <i>2019-OPS Projects</i>
CHECKED BY: <i>Josh Hyde</i>	DATE: <i>JAN. 1, 2019</i>	
DRAWN BY: <i>Robbie Duncan</i>		