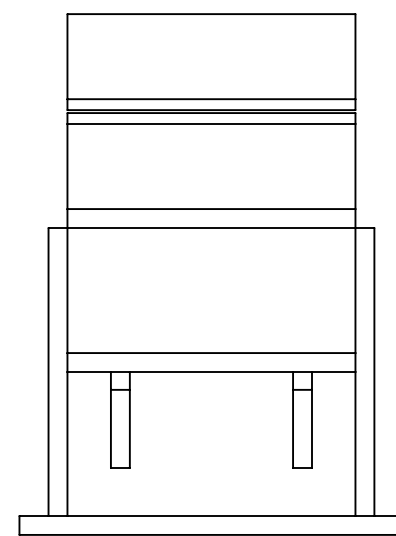
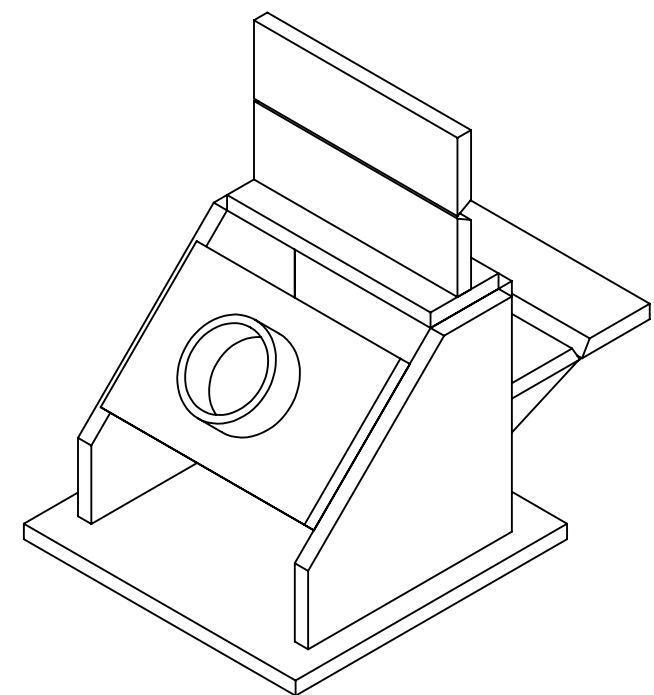
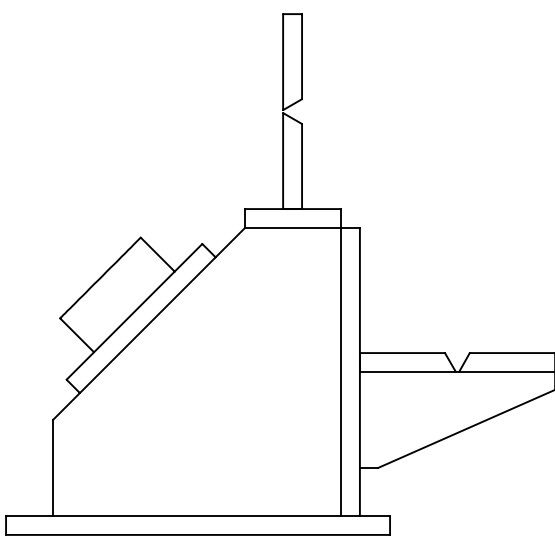
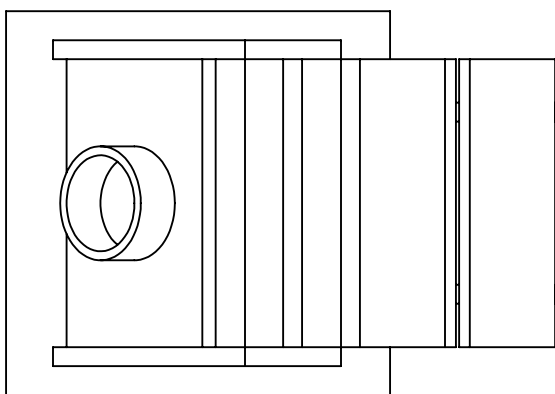
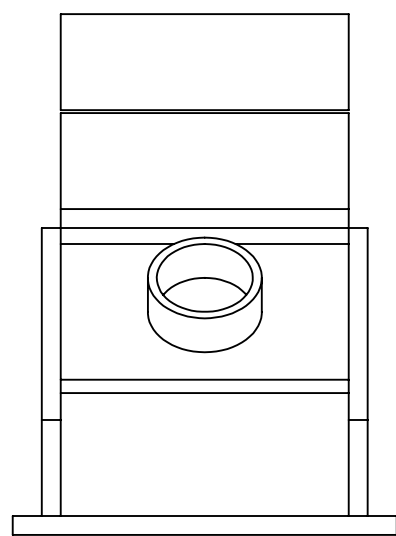


8 7 6 5 4 3 2 1

D
C
B
A

D
C
B
A



MATERIAL		Mild Steel		
CUSTOMER		Skills Canada		
GENERAL SPECIFICATIONS UNLESS OTHERWISE NOTED >>BREAK ALL SHARP EDGES<< TOLERANCES: Fractions ±1/16 .00 ±.030 .000 ±.010 Angles ±1° Finish 125 INTERPRET THIS DRAWING PER CURRENT VERSION OF ASME Y14 ENGINEERING DRAWING PRACTICE STANDARD		DRN SA	DATE 2020	WEIGHT lbs
		CHK PB	SCALE 1:4	NEXT ASS'Y Provincial Skills Competition
		DESCRIPTION Regional Skills Competition		
		DWG NO. Skills Regional Assembly DWG		REV B 0

8 7 6 5 4 3 2 1