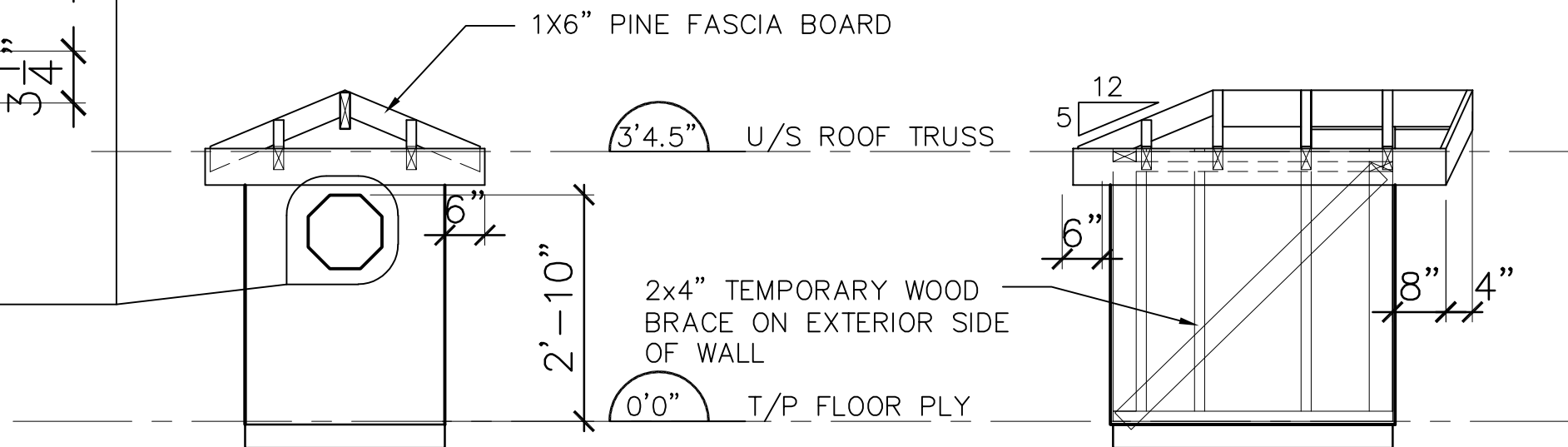
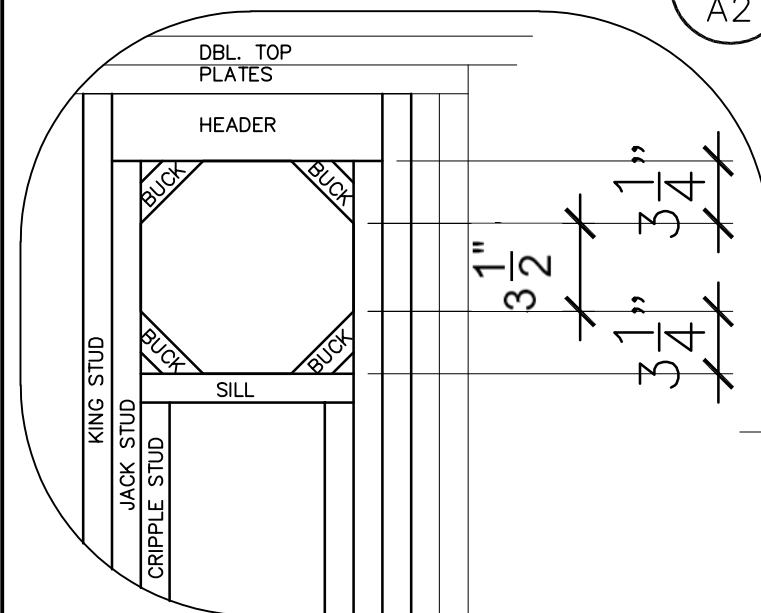


1 FRONT ELEVATION
A2 SCALE: 1"=1'-0"

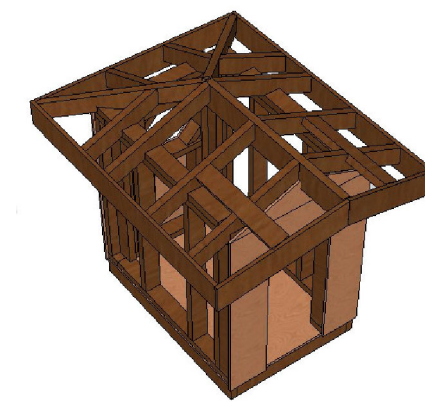
2 RIGHT ELEVATION
A2 SCALE: 1"=1'-0"



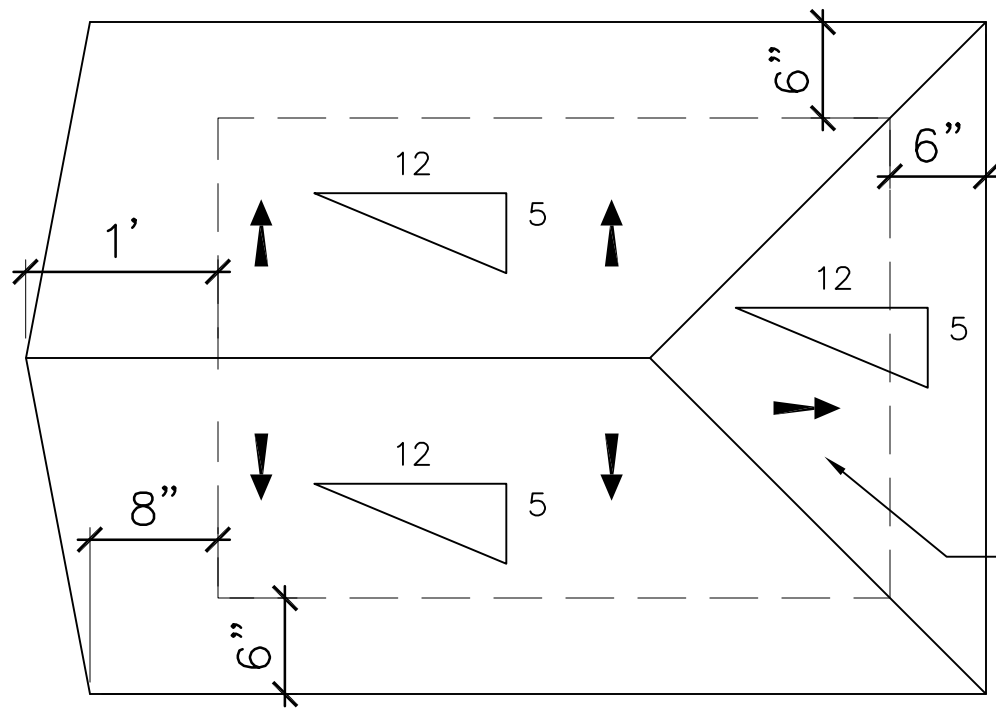
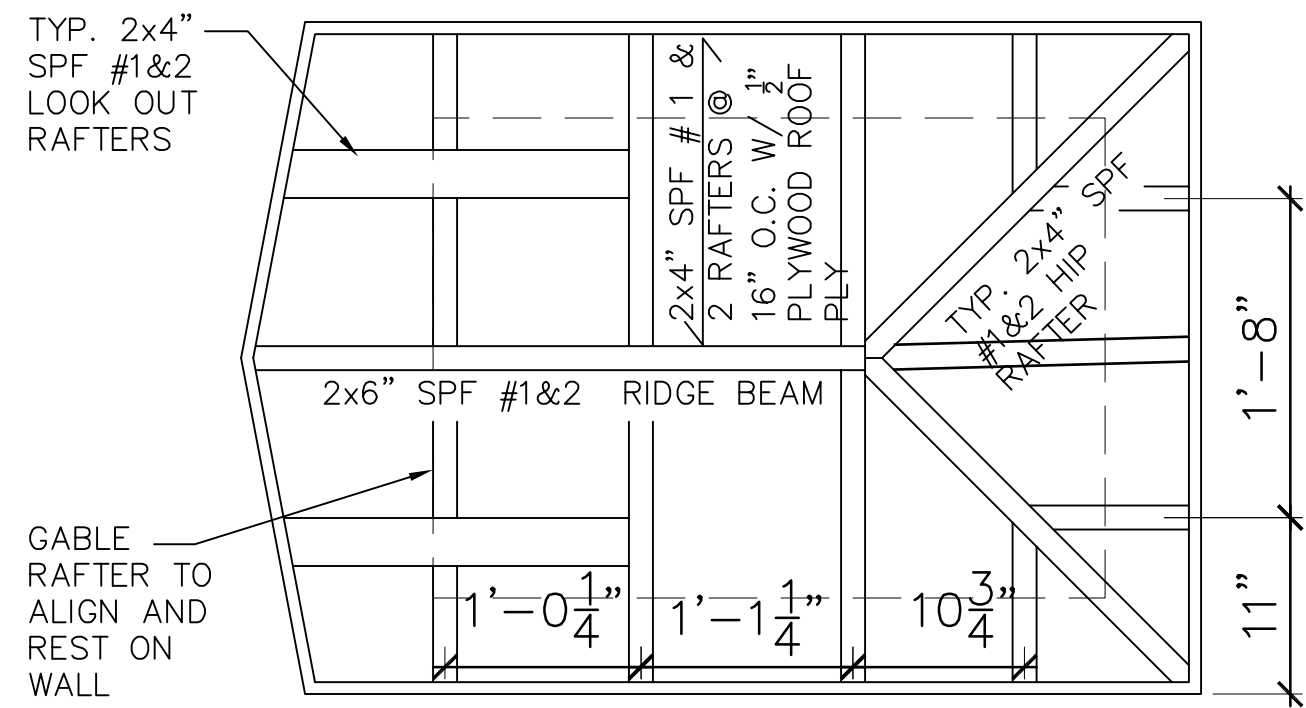
3 REAR ELEVATION
A2 SCALE: 1"=1'-0"

4 LEFT ELEVATION
A2 SCALE: 1"=1'-0"

No.	DATE	REVISION NOTES
PROJECT NAME: DOG HOUSE POST SECONDARY COMPETITION KINGSTON, ONTARIO		
DRAWING NAME: ELEVATIONS BUILDING SECTIONS		
SCALE	1/2" = 1'-0"	
DATE	12/22/2021	
PLOT DATE	12/22/2021	
DRAWN BY	TOM FALCAO	
CHECKED BY		
FILE NAME	SKILLS-DOG-HOUSES	
PROJECT NO. SC1	DRAWING NO. A2	

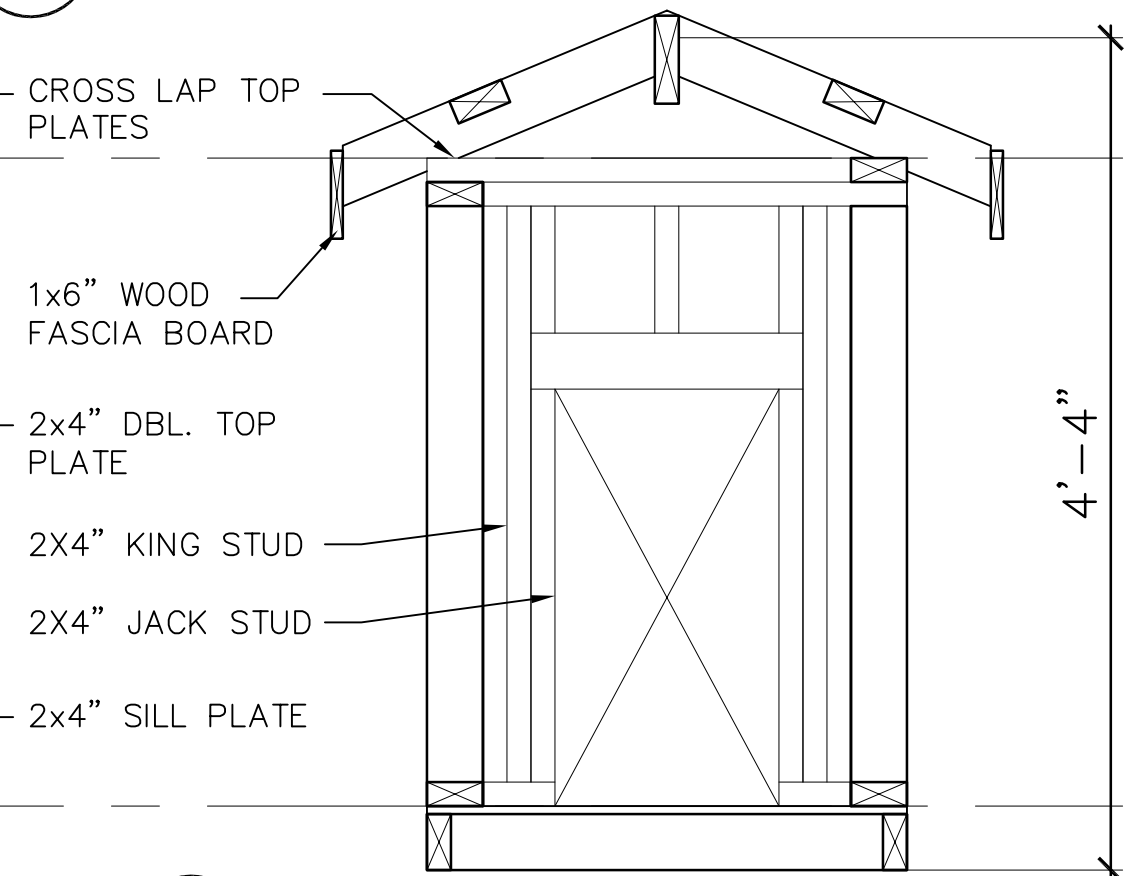
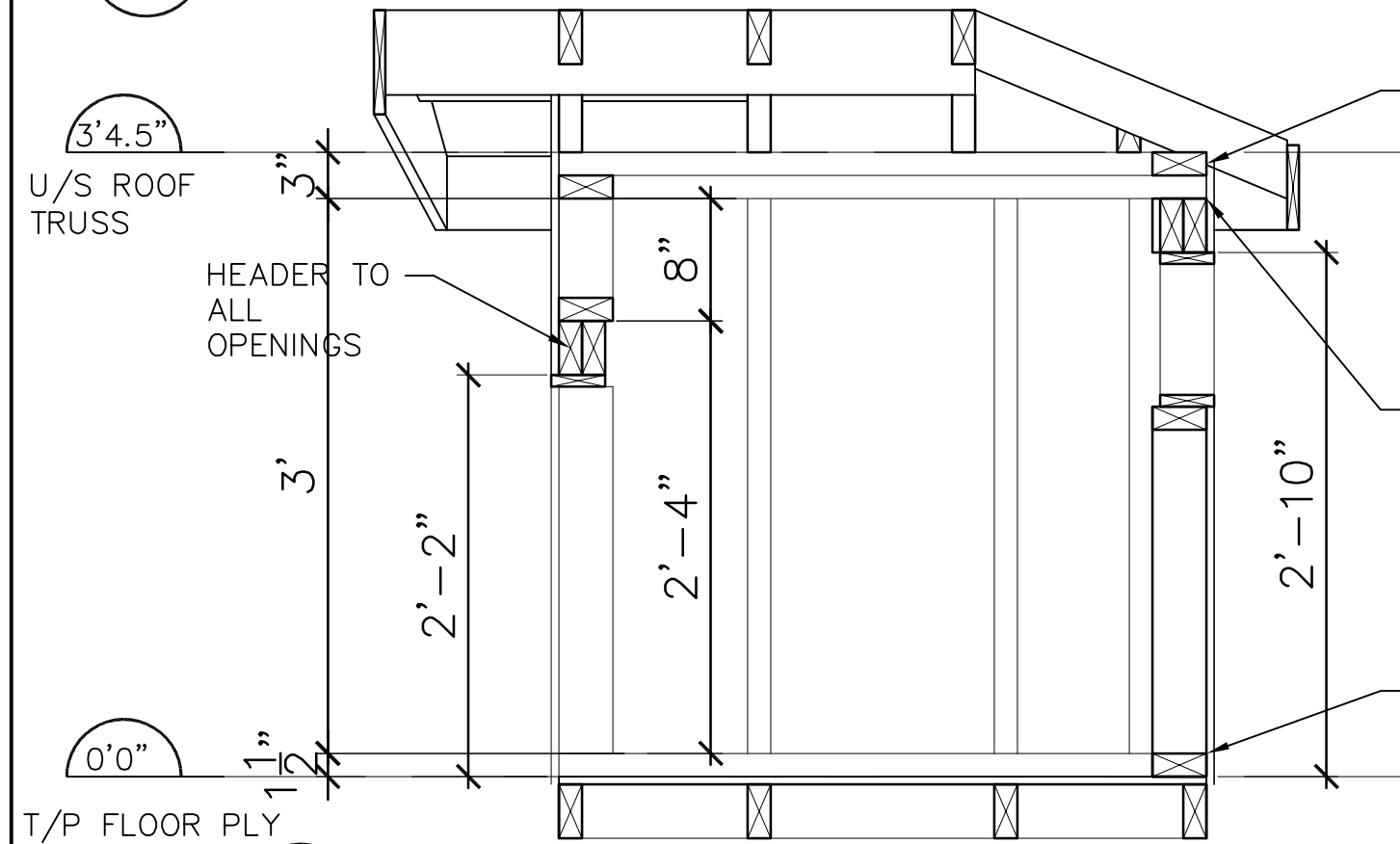


ROOF PITCH / SLOPE INDICATION. NO PLYWOOD ON ROOF SEE 1/A3 FOR FRAMING



1 ROOF FRAMING
A3 SCALE: 1"=1'-0"

2 ROOF PLAN
A3 SCALE: 1"=1'-0"



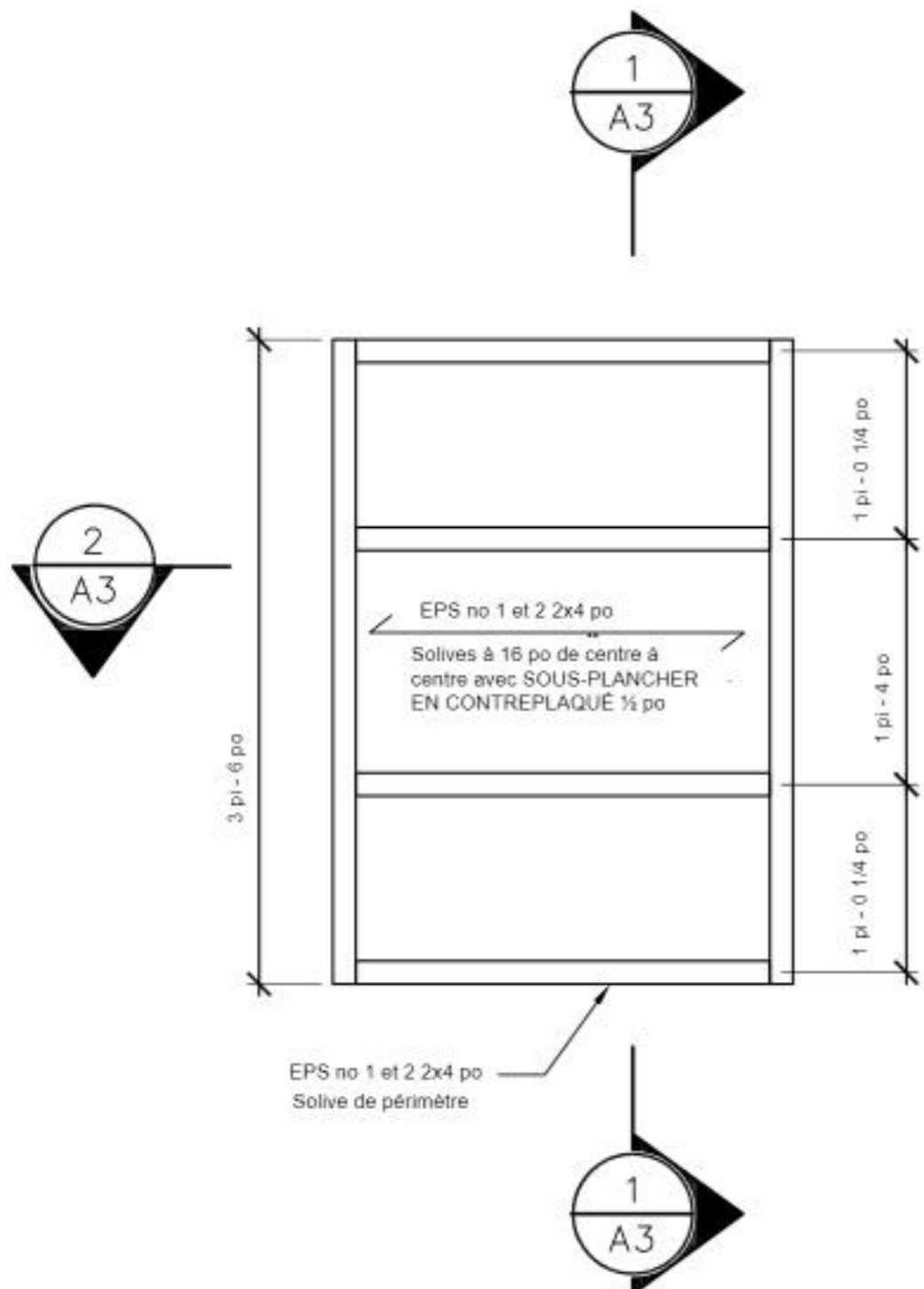
3 LONGITUDINAL SECTION
A3 SCALE: 1"=1'-0"

4 LATITUDINAL SECTION
A3 SCALE: 1"=1'-0"

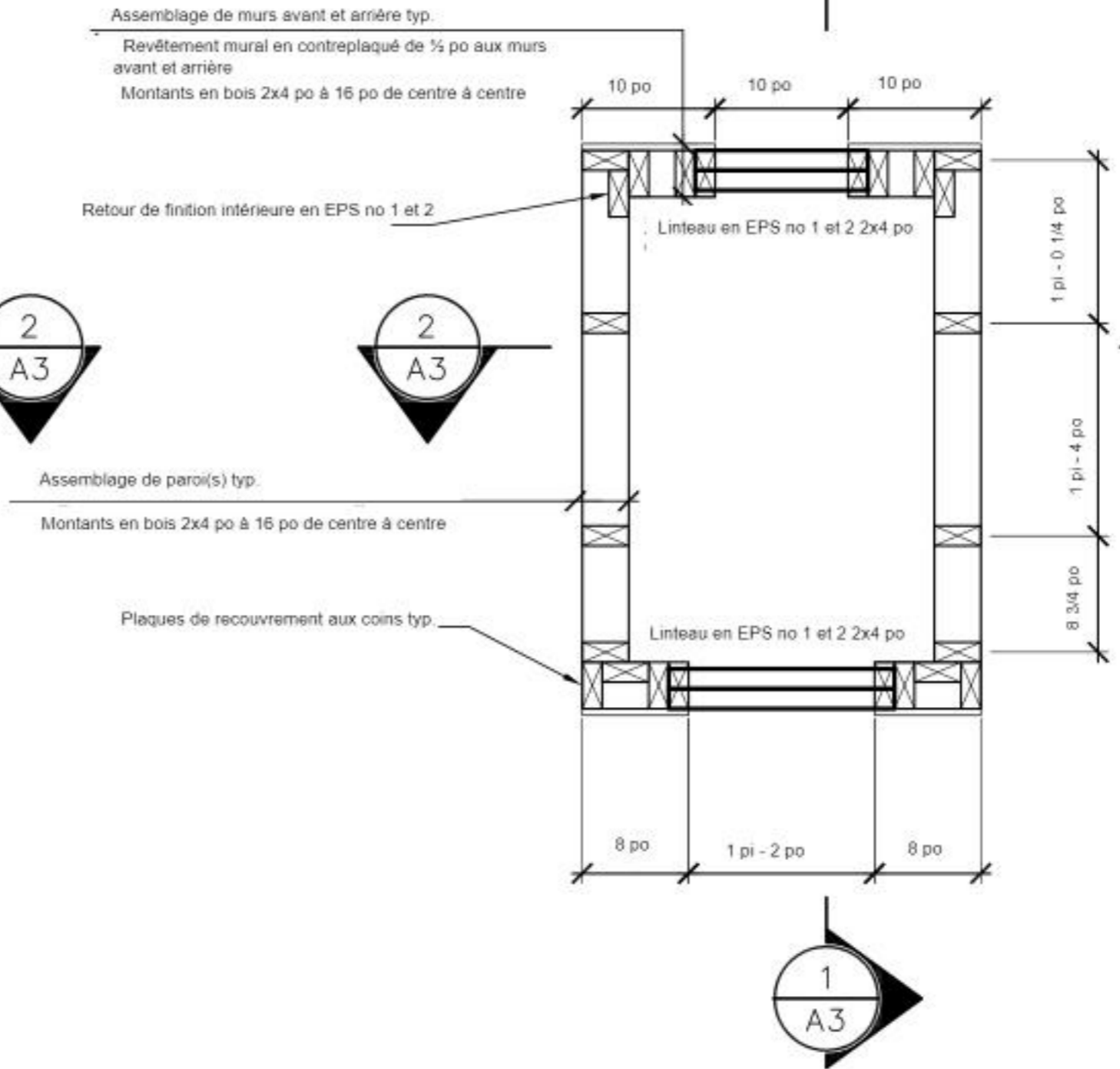


INDIVIDUAL CARPENTRY

No.	DATE	REVISION NOTES
PROJECT NAME: DOG HOUSE POST SECONDARY COMPETITION KINGSTON, ONTARIO		
DRAWING NAME: ROOF PLANS AND BUILDING SECTIONS		
SCALE	1" = 1'-0"	
DATE	12/22/2021	
PLOT DATE	12/22/2021	
DRAWN BY	TOM FALCAO	
CHECKED BY		
FILE NAME	SKILLS-DOG-HOUSES	
PROJECT NO. SC1	DRAWING NO. A3	



1
A1 Plan de la charpente de plancher
Échelle : 1 po = 1 pi - 0 po



2
A1 Plan du rez-de-chaussée
Échelle : 1 po = 1 pi - 0 po

SkillsCompétences
Canada **Ontario**

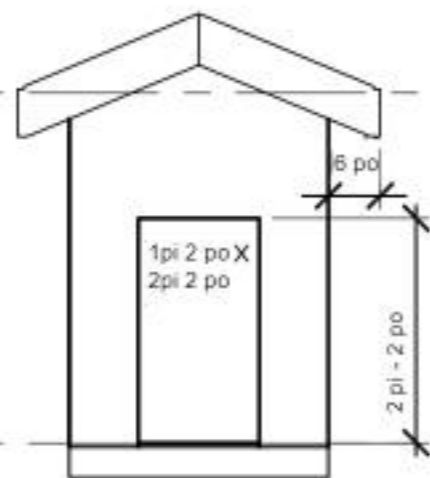
INDIVIDUAL
CARPENTRY

No.	DATE	REVISION NOTES
PROJECT NAME: DOG HOUSE POST SECONDARY COMPETITION KINGSTON, ONTARIO		
DRAWING NAME: PLANS		
SCALE	1" = 1'-0"	
DATE	12/22/2021	
PLOT DATE	12/22/2021	
DRAWN BY	TOM FALCÃO	
CHECKED BY		
FILE NAME	SKILLS-000-HOUSES	
PROJECT NO. SC1	DRAWING NO. A1	



3'4.5"
3 pi 4.5 po

Sous-face de la ferme de toit

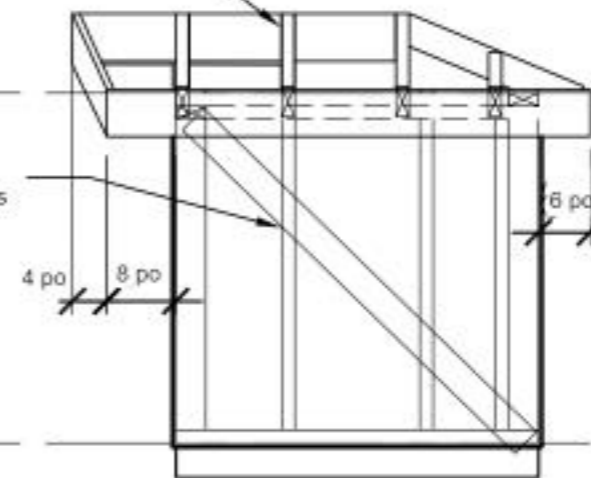


0'0"
0 pi 0 po

Dessus du revêtement de plancher

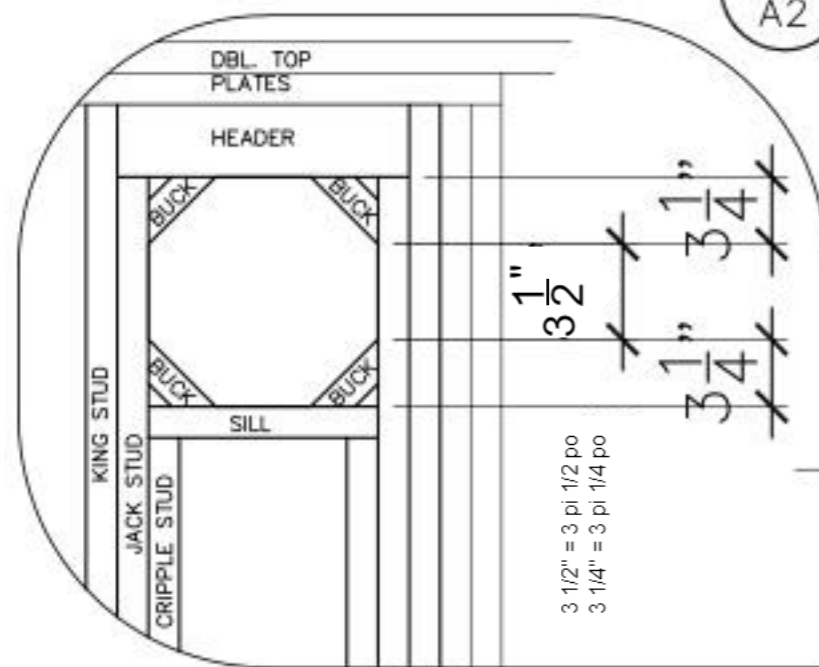
Charpente de toit exposée,
pas de revêtement de toit sur
tous les côtés

Murs et poteaux exposés, pas de
revêtement mural sur les élévations
latérales droite et gauche



1
A2
Élévation avant
Échelle : 1 po = 1 pi - 0 po

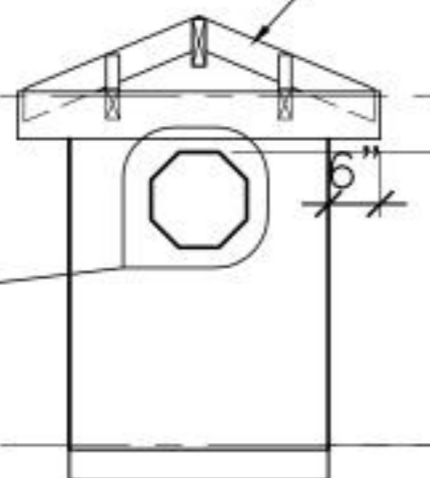
2
A2
Élévation droite
Échelle : 1 po = 1 pi - 0 po



Bordure de toit en pin 1x6 po

3'4.5"
3 pi 4.5 po

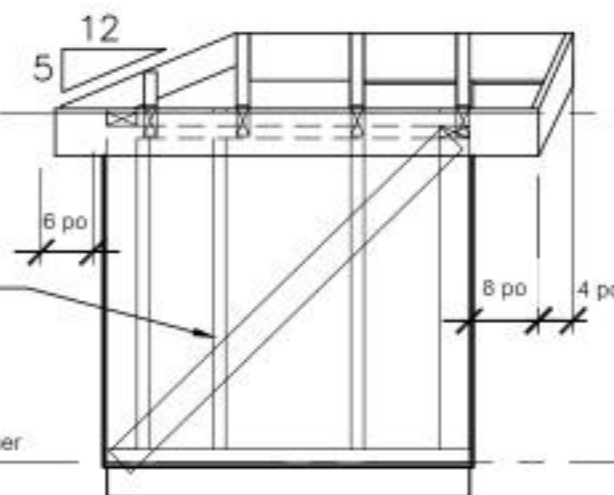
Sous-face de la ferme de toit



0'0"
0 pi 0 po

Dessus du revêtement de plancher

Renfort temporaire en bois
2x4 po sur le côté extérieur du
mur



3
A2
Élévation arrière
Échelle : 1 po = 1 pi - 0 po

4
A2
Élévation gauche
Échelle : 1 po = 1 pi - 0 po

King Stud - Montant central
Jack Stud - Montant nain
Cripple Stud - Montant nain
Buck - Faux cadre
Header - Linteau
Sill - Lisse
DBL. Top Plates - Plaque
supérieure double

INDIVIDUAL
CARPENTRY

No.	DATE	REVISION NOTES

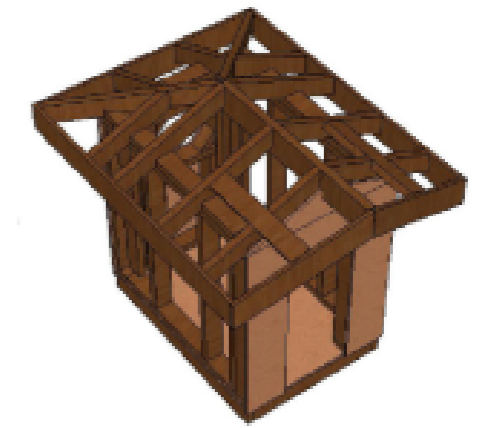
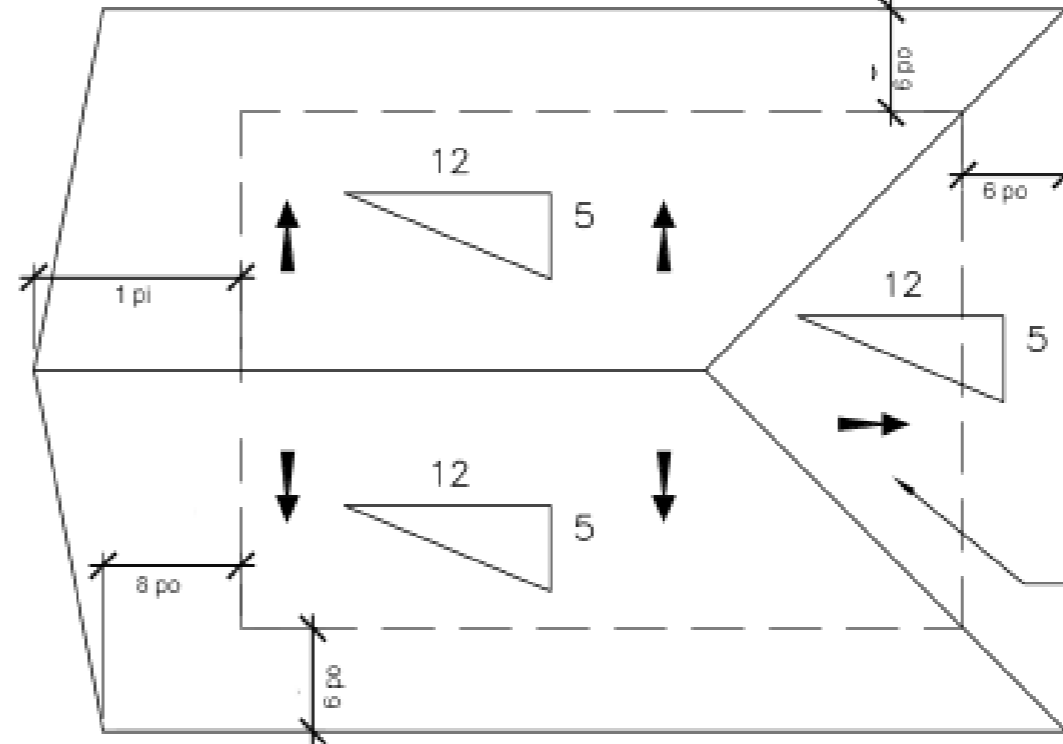
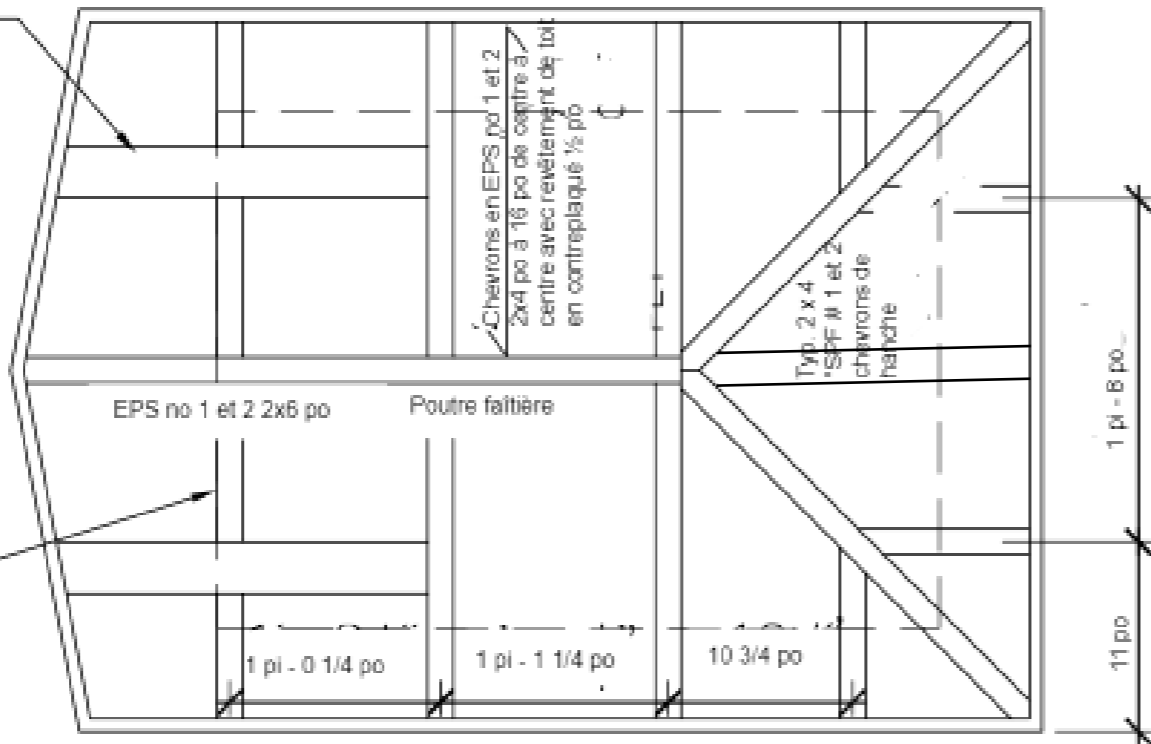
PROJECT NAME: DOG HOUSE POST SECONDARY COMPETITION KINGSTON, ONTARIO	
DRAWING NAME: ELEVATIONS BUILDING SECTIONS	

SCALE	1/2" = 1'-0"
DATE	12/22/2021
PLOT DATE	12/22/2021
DRAWN BY	TOM FALGAD
CHECKED BY	
FILE NAME	SKILLS-000-HOUSES

PROJECT NO. SC1	DRAWING NO. A2
--------------------	-------------------

Chevrans de pignon 2x4 po en EPS no 1 et 2 typ.

Le chevron du pignon doit être aligné et reposer sur le mur

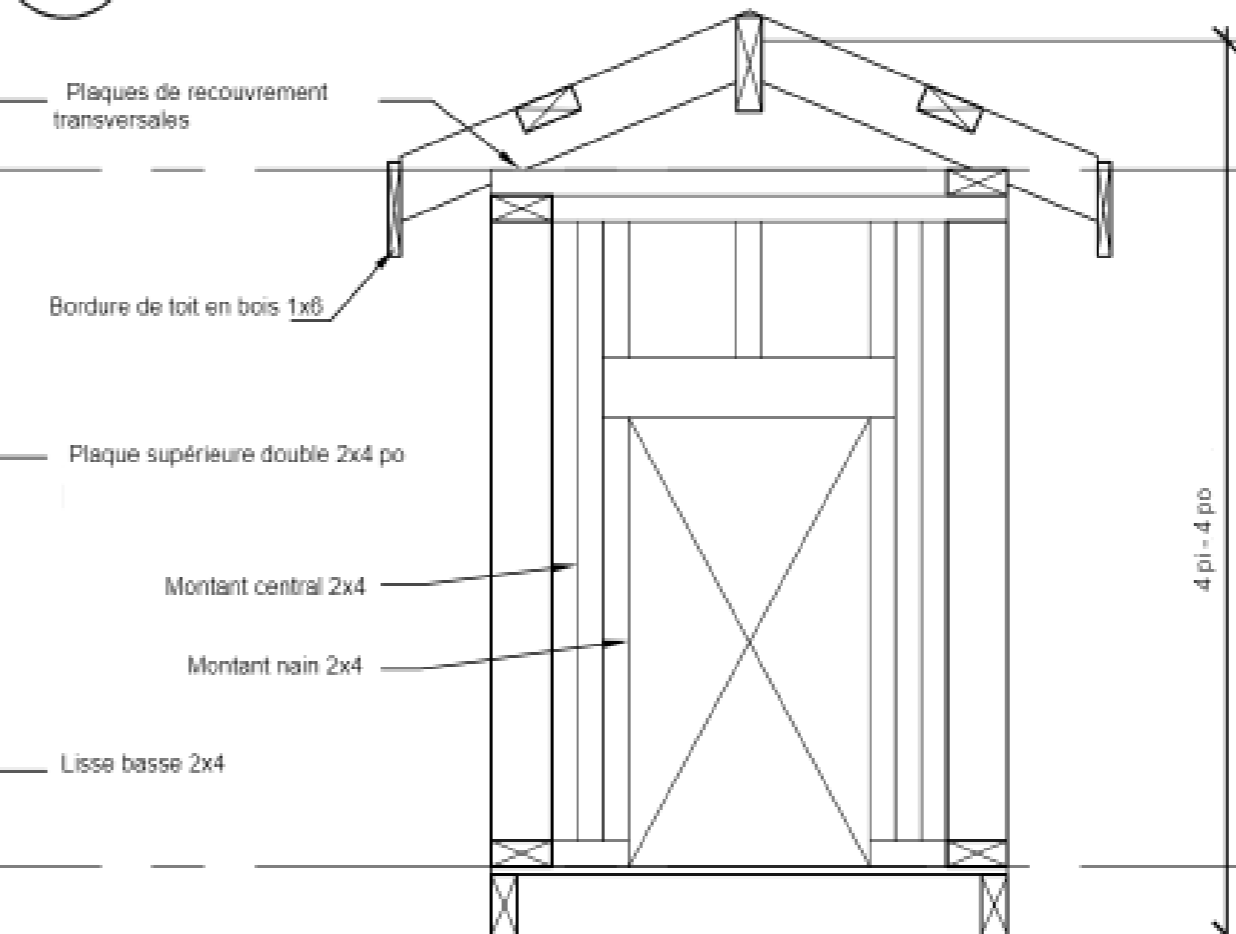
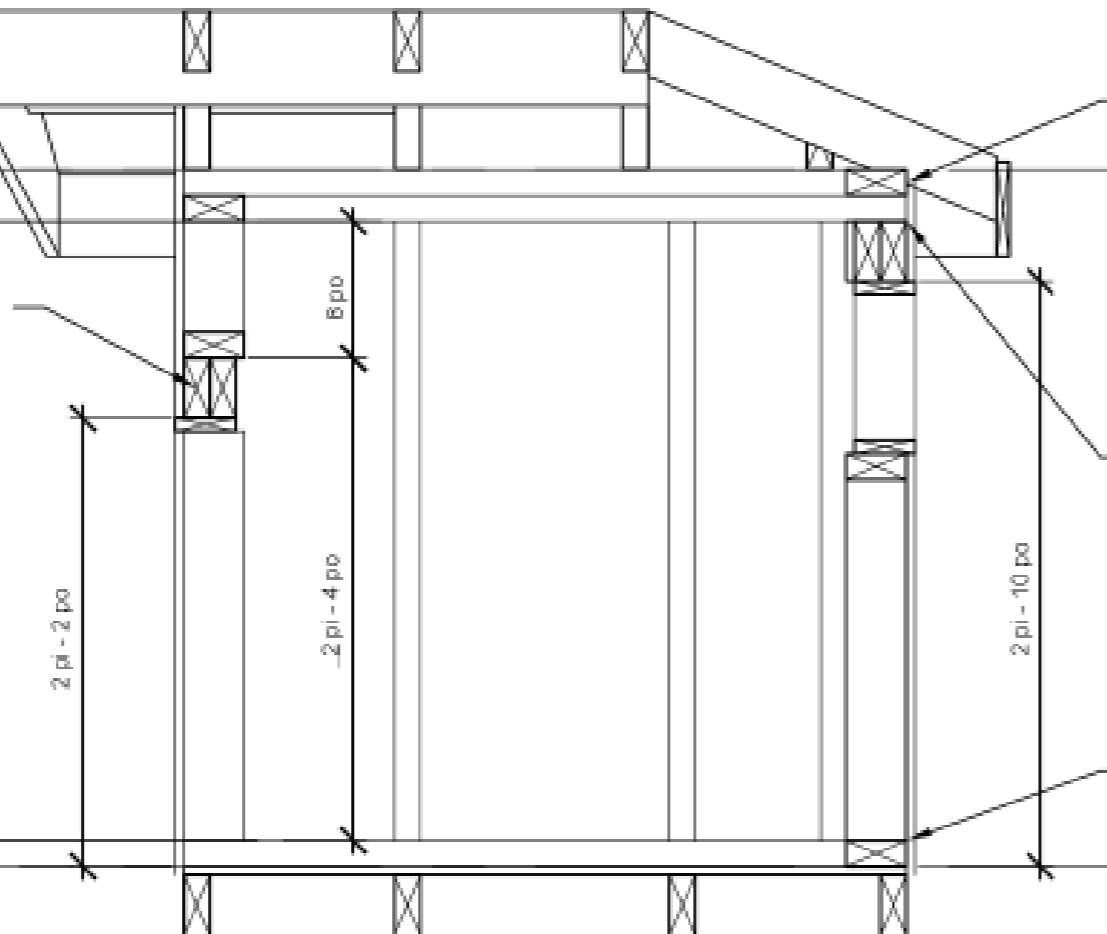
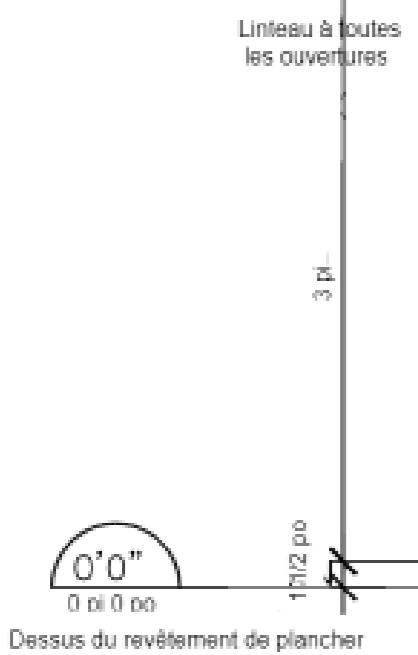


Indication de la pente du toit Pas de contreplaqué sur le toit voir 1/A3 pour la charpente

1 Charpente du toit
A3 Echelle : 1 po = 1 pi - 0 po

2 Plan du toit
A3 Echelle : 1 po = 1 pi - 0 po

3'4.5"
3 pi 4.5 po
Sous-face de la ferme de toit



3 Coupe longitudinale
A3 Echelle : 1 po = 1 pi - 0 po

4 Coupe latitudinale
A3 Echelle : 1 po = 1 pi - 0 po

SkillsCompétences
Canada **Ontario**

INDIVIDUAL
CARPENTRY

No.	DATE	REVISION NOTES
PROJECT NAME DOG HOUSE POST SECONDARY COMPETITION KINGSTON, ONTARIO		
DRAWING NAME ROOF PLANS AND BUILDING SECTIONS		
SCALE	1" = 1'-0"	
DATE	12/22/2021	
PLOT DATE	12/22/2021	
DRAWN BY	TOM FALCÃO	
CHECKED BY		
FILE NAME	SKILLS-DOG-HOUSES	
PROJECT NO.	SC1	DRAWING NO. A3