

1
A1

FLOOR FRAMING PLAN
SCALE: 1"=1'-0"

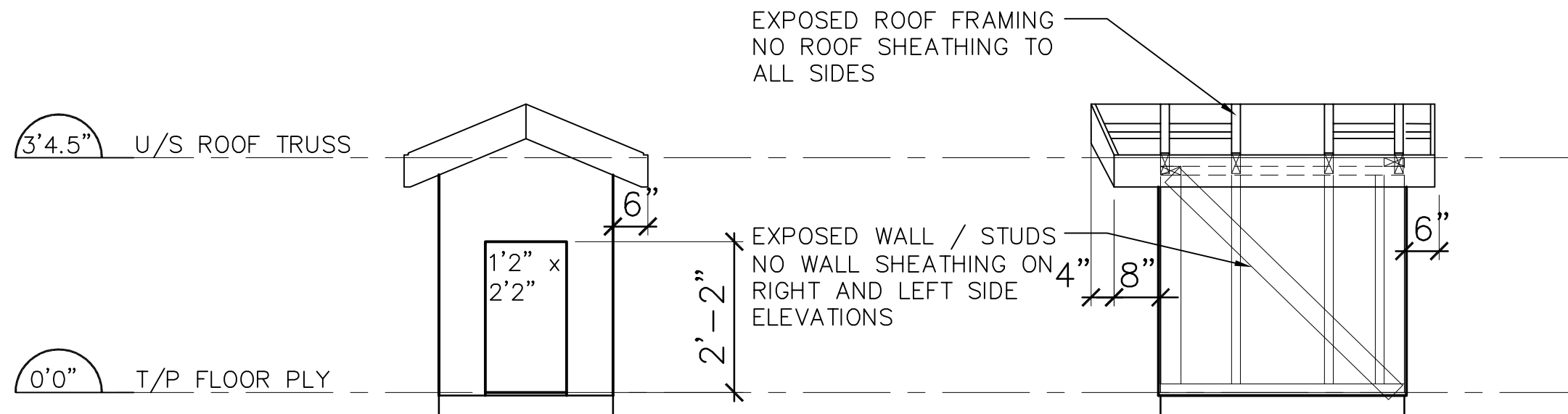
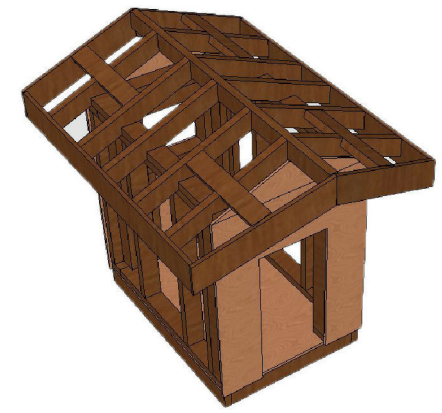
2
A1

MAIN FLOOR PLAN
SCALE: 1"=1'-0"



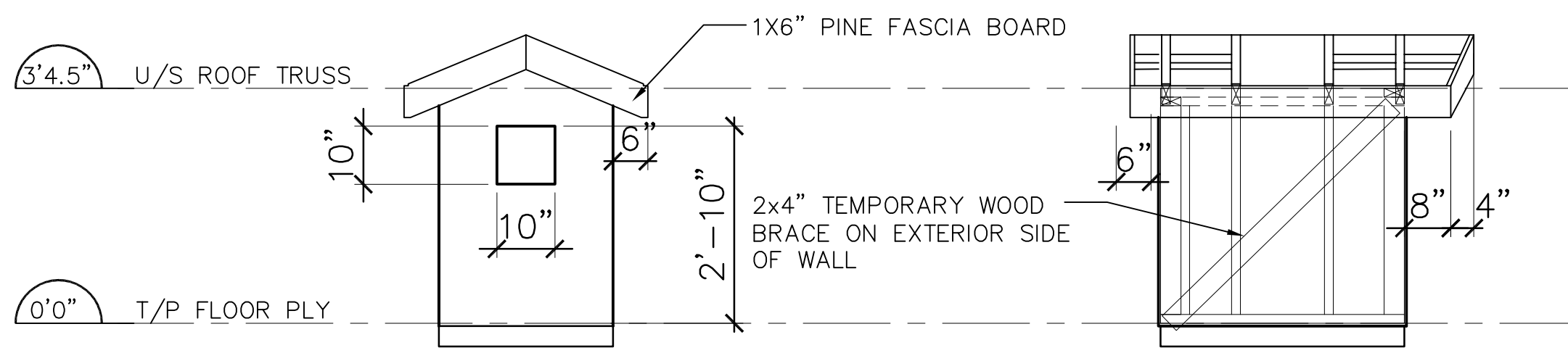
INDIVIDUAL
CARPENTRY

No.	DATE	REVISION NOTES
PROJECT NAME: DOG HOUSE SECONDARY COMPETITION		
KINGSTON, ONTARIO		
DRAWING NAME: PLANS		
SCALE	1" = 1'-0"	
DATE	12/22/2021	
PLOT DATE	12/22/2021	
DRAWN BY	TOM FALCAO	
CHECKED BY		
FILE NAME	SKILLS-DOG-HOUSES	
PROJECT NO. SC1	DRAWING NO. A1	



1 FRONT ELEVATION
A2 SCALE: 1"=1'-0"

2 RIGHT ELEVATION
A2 SCALE: 1"=1'-0"



3 REAR ELEVATION
A2 SCALE: 1"=1'-0"

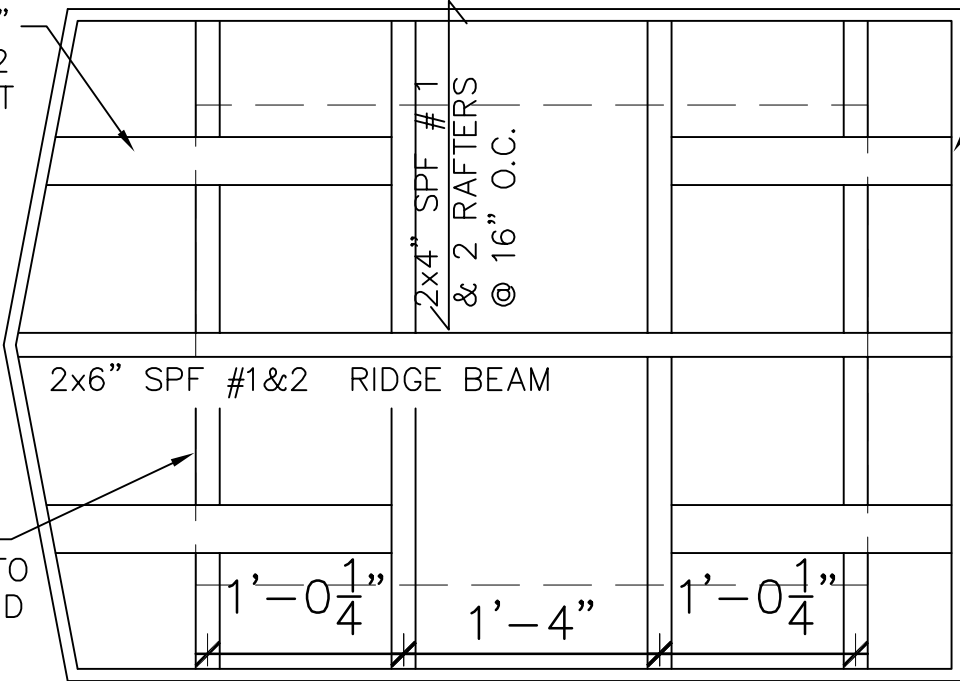
4 LEFT ELEVATION
A2 SCALE: 1"=1'-0"



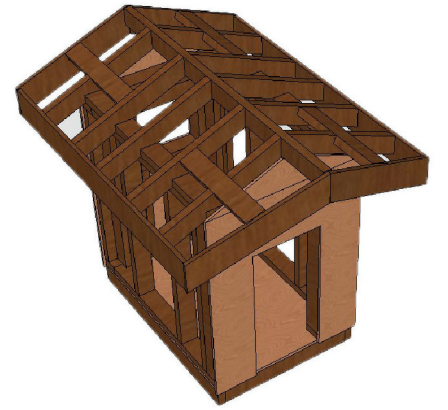
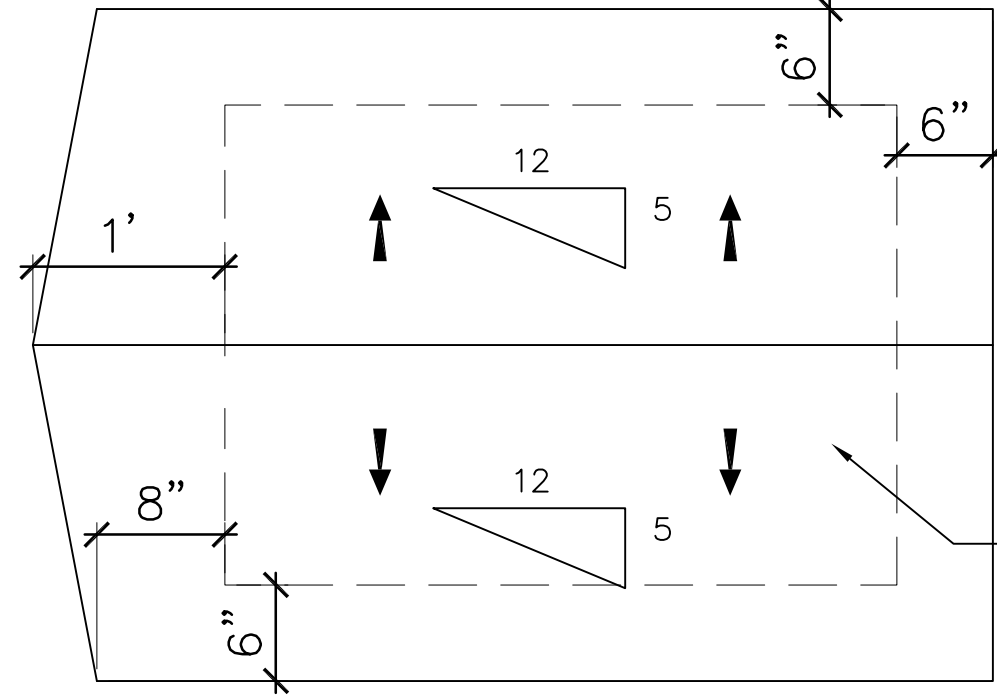
INDIVIDUAL
CARPENTRY

No.	DATE	REVISION NOTES
PROJECT NAME: DOG HOUSE SECONDARY COMPETITION		
KINGSTON, ONTARIO		
DRAWING NAME: ELEVATIONS BUILDING SECTIONS		
SCALE	1/2" = 1'-0"	
DATE	12/22/2021	
PLOT DATE	12/22/2021	
DRAWN BY	TOM FALCAO	
CHECKED BY		
FILE NAME	SKILLS-DOG-HOUSES	
PROJECT NO. SC1	DRAWING NO. A2	

TYP. 2x4" SPF #1&2 LOOK OUT RAFTERS



TYP. 2x4" SPF #1&2 LOOK OUT RAFTERS



ROOF PITCH / SLOPE INDICATION. NO PLYWOOD ON ROOF SEE 1/A3 FOR FRAMING

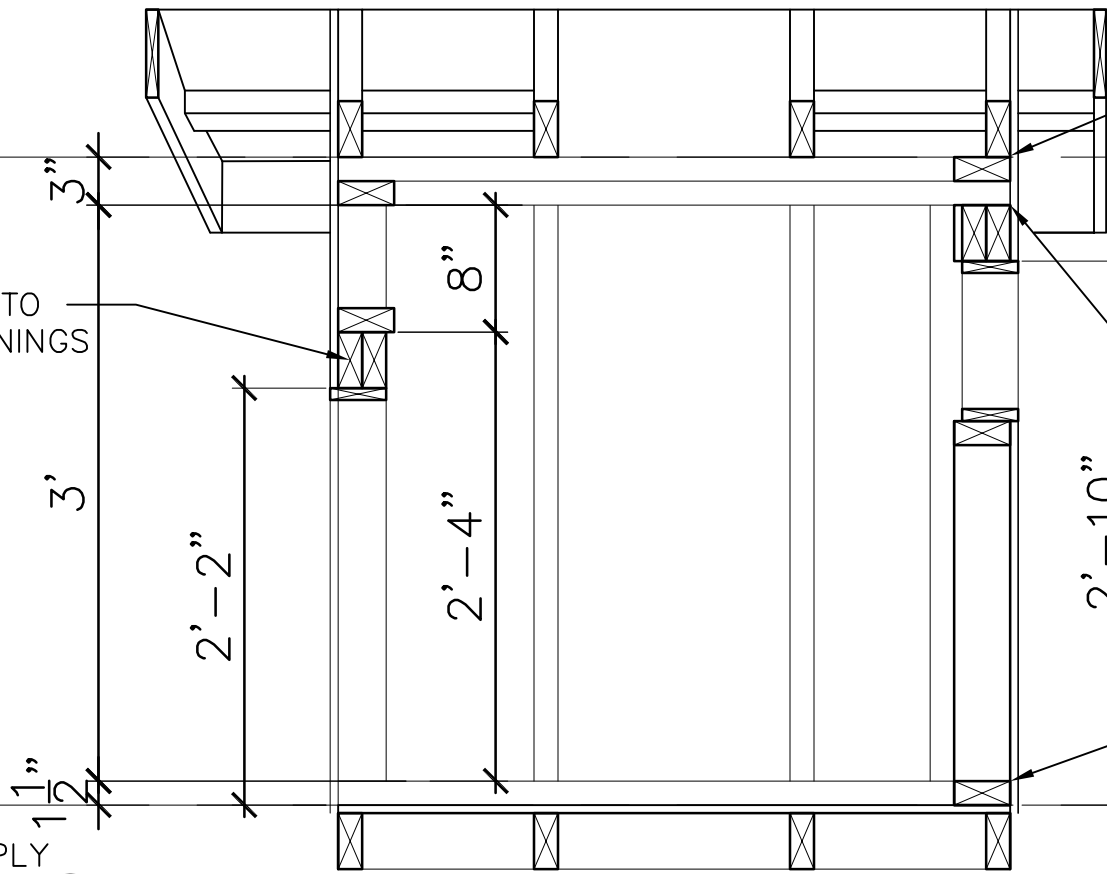
1 ROOF FRAMING
A3 SCALE: 1"=1'-0"

2 ROOF PLAN
A3 SCALE: 1"=1'-0"

3'4.5" U/S ROOF TRUSS

HEADER TO ALL OPENINGS

T/P FLOOR PLY



3 LONGITUDINAL SECTION
A3 SCALE: 1"=1'-0"

CROSS LAP TOP PLATES

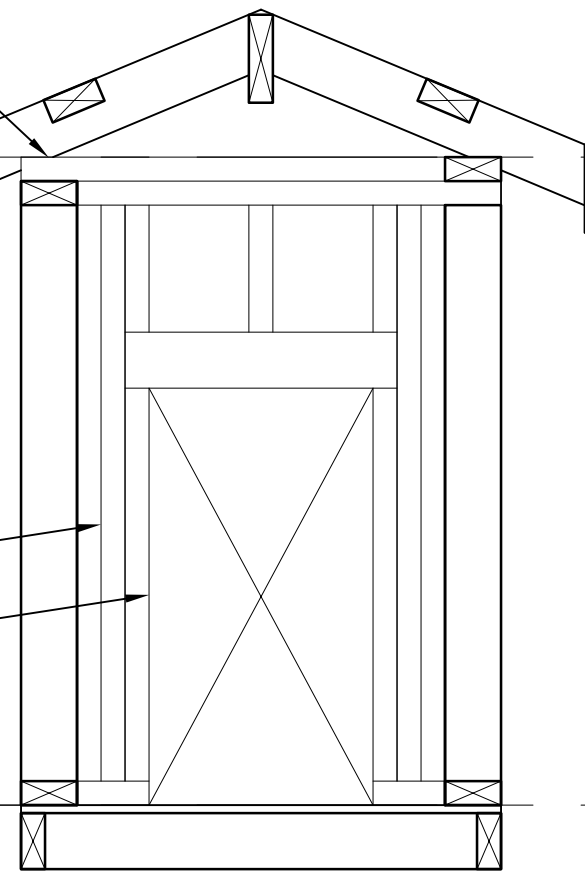
1x6" WOOD FASCIA BOARD

2x4" DBL. TOP PLATE

2X4" KING STUD

2X4" JACK STUD

2x4" SILL PLATE

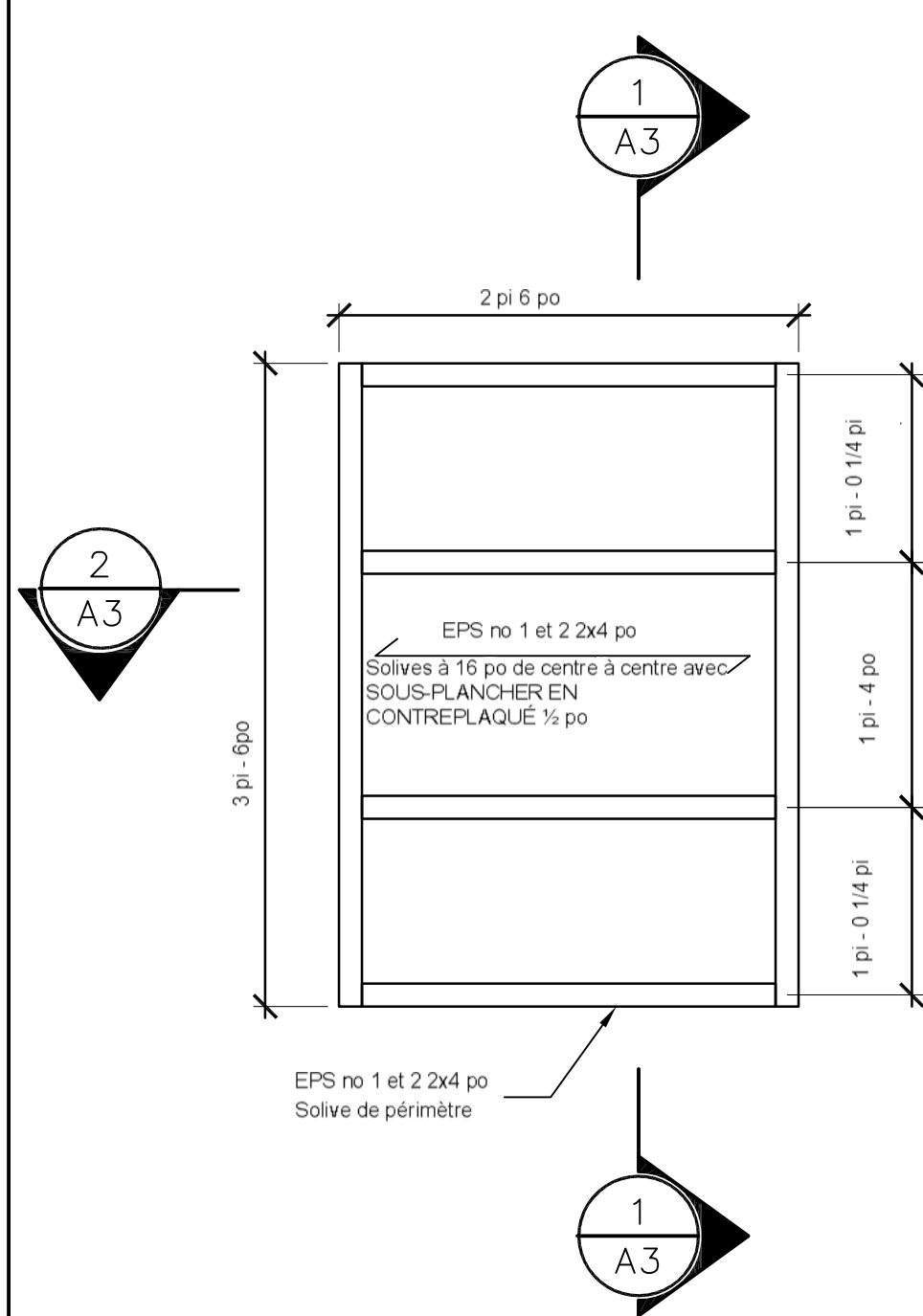
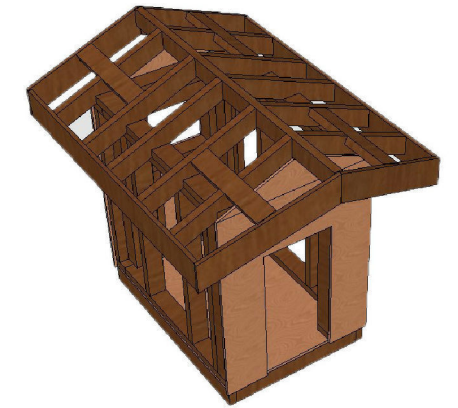


4 LATITUDINAL SECTION
A3 SCALE: 1"=1'-0"

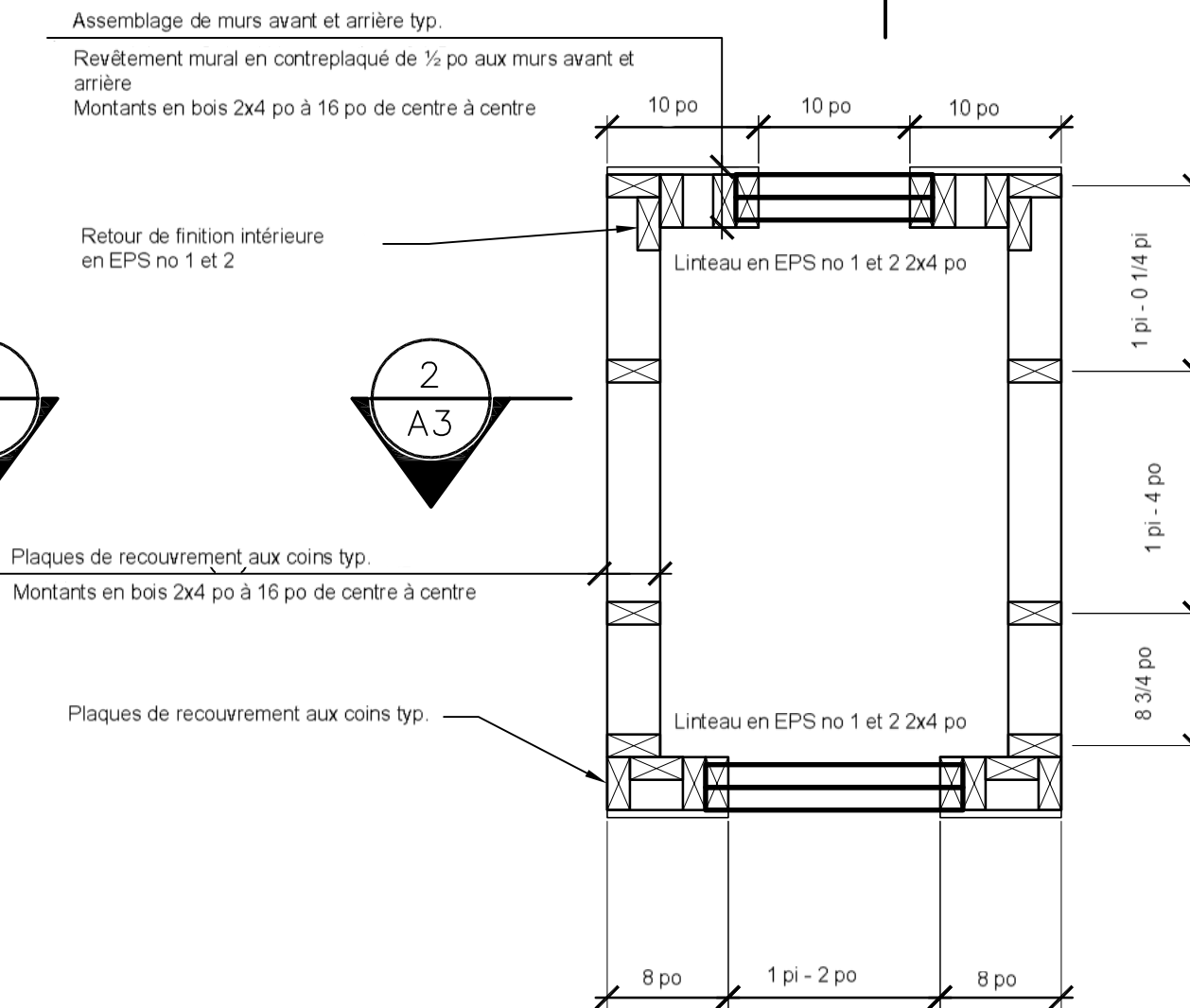


INDIVIDUAL CARPENTRY

No.	DATE	REVISION NOTES
PROJECT NAME: DOG HOUSE SECONDARY COMPETITION		
KINGSTON, ONTARIO		
DRAWING NAME: ROOF PLANS AND BUILDING SECTIONS		
SCALE	1" = 1'-0"	
DATE	12/22/2021	
PLOT DATE	12/22/2021	
DRAWN BY	TOM FALCAO	
CHECKED BY		
FILE NAME	SKILLS-DOG-HOUSES	
PROJECT NO. SC1	DRAWING NO. A3	

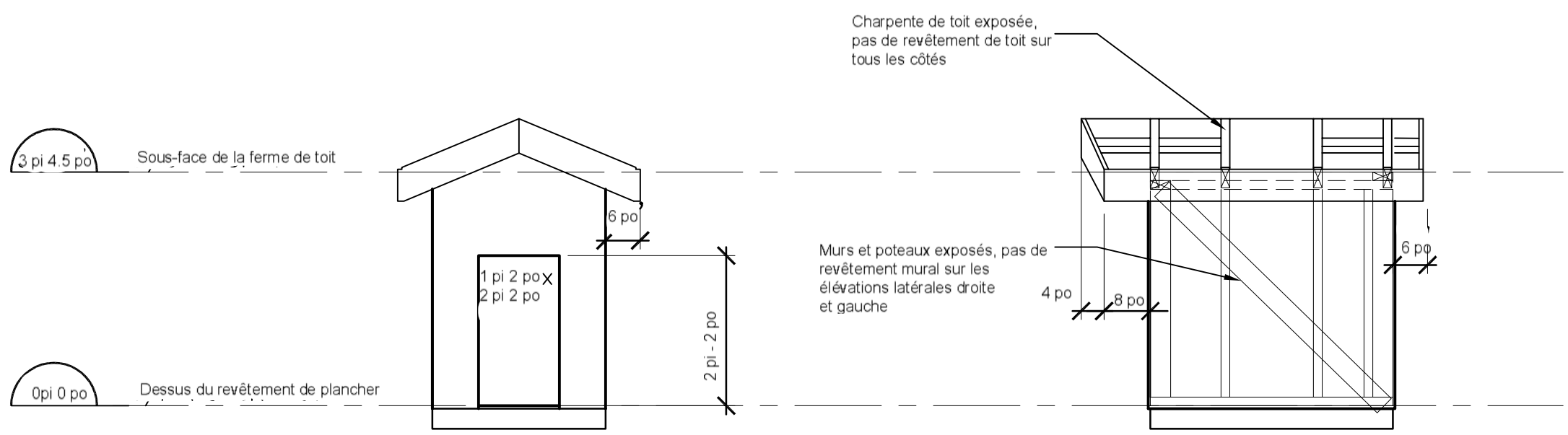
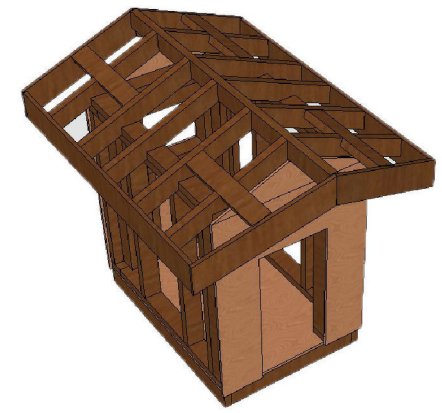


1
A1 Plan de la charpente de plancher
Échelle : 1 po = 1 pi - 0 po



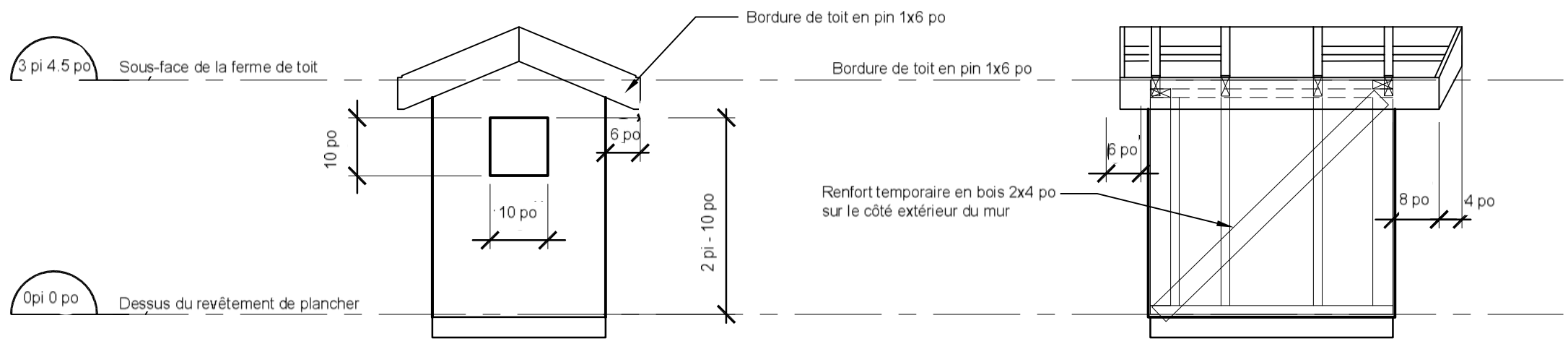
2
A1 Plan du rez-de-chaussée
Échelle: 1 po = 1 pi - 0 po

No.	DATE	REVISION NOTES
PROJECT NAME: DOG HOUSE SECONDARY COMPETITION		
KINGSTON, ONTARIO		
DRAWING NAME: PLANS		
SCALE	1" = 1'-0"	
DATE	12/22/2021	
PLOT DATE	12/22/2021	
DRAWN BY	TOM FALCAO	
CHECKED BY		
FILE NAME	SKILLS-DOG-HOUSES	
PROJECT NO. SC1	DRAWING NO. A1	



1
A2
Élévation avant
Échelle : 1 po = 1 pi - 0 po

2
A2
Élévation droite
Échelle : 1 po = 1 pi - 0 po



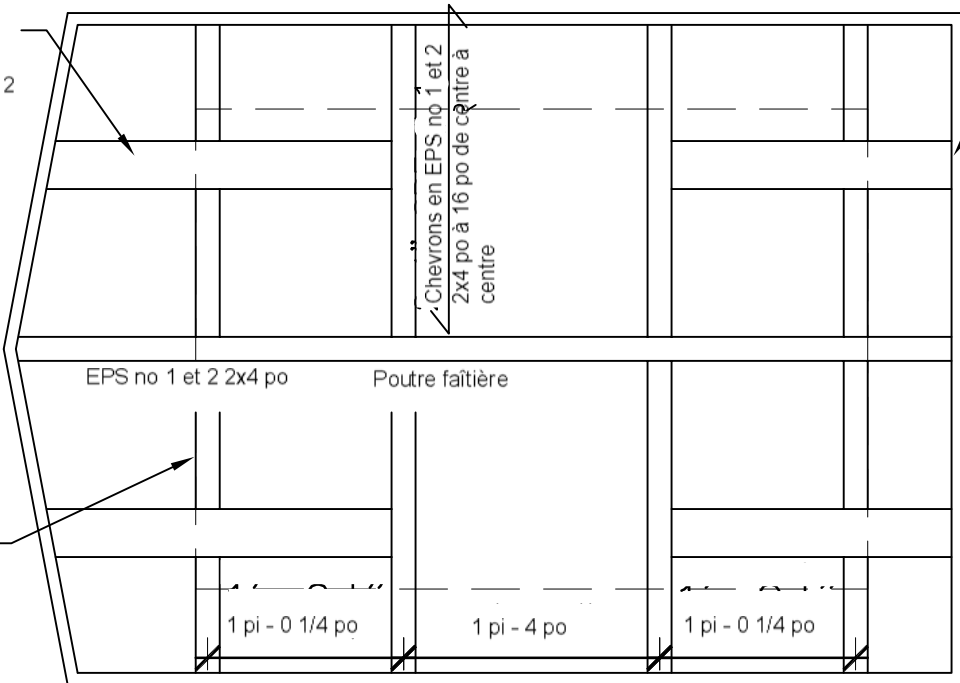
3
A2
Élévation arrière
Échelle : 1 po = 1 pi - 0 po

4
A2
Élévation gauche
Échelle : 1 po = 1 pi - 0 po

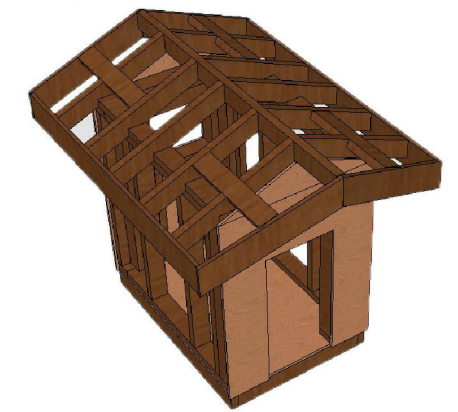
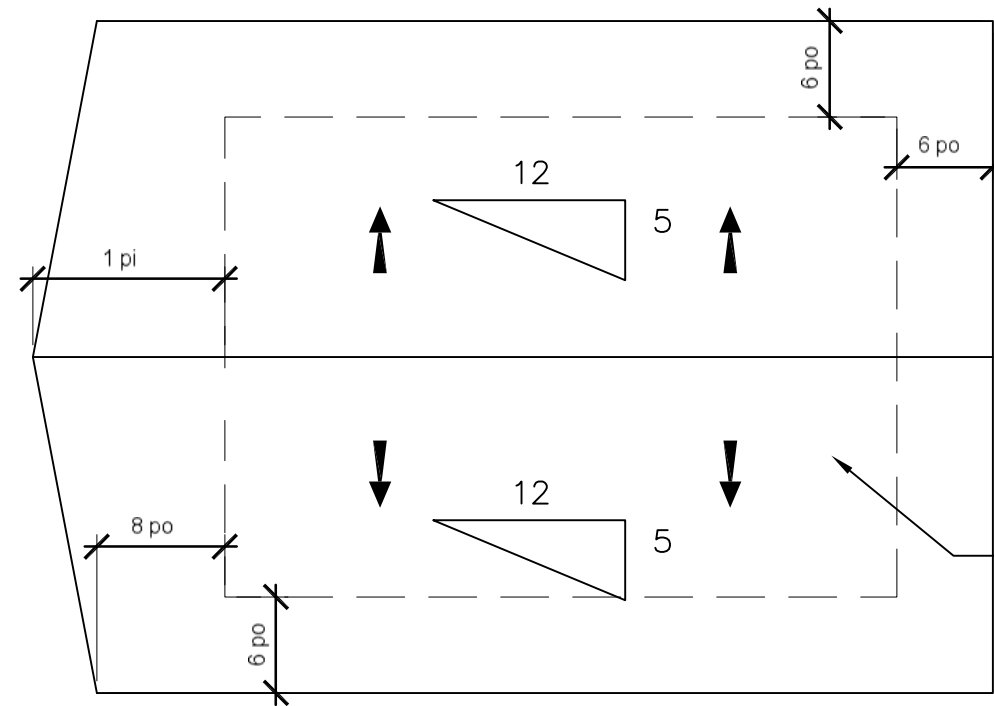
INDIVIDUAL
CARPENTRY

No.	DATE	REVISION NOTES
PROJECT NAME: DOG HOUSE SECONDARY COMPETITION		
KINGSTON, ONTARIO		
DRAWING NAME: ELEVATIONS BUILDING SECTIONS		
SCALE	1/2" = 1'-0"	
DATE	12/22/2021	
PLOT DATE	12/22/2021	
DRAWN BY	TOM FALCAO	
CHECKED BY		
FILE NAME	SKILLS-DOG-HOUSES	
PROJECT NO.	DRAWING NO.	
SC1	A2	

Chevrans de pignon 2x4 po en EPS no 1 et 2 typ.



Chevrans de pignon 2x4 po en EPS no 1 et 2 typ.



Indication de la pente du toit
Pas de contreplaqué sur le toit
voir 1/A3 pour la charpente

1
A3

Charpente du toit

Échelle : 1 po = 1 pi - 0 po

2
A3

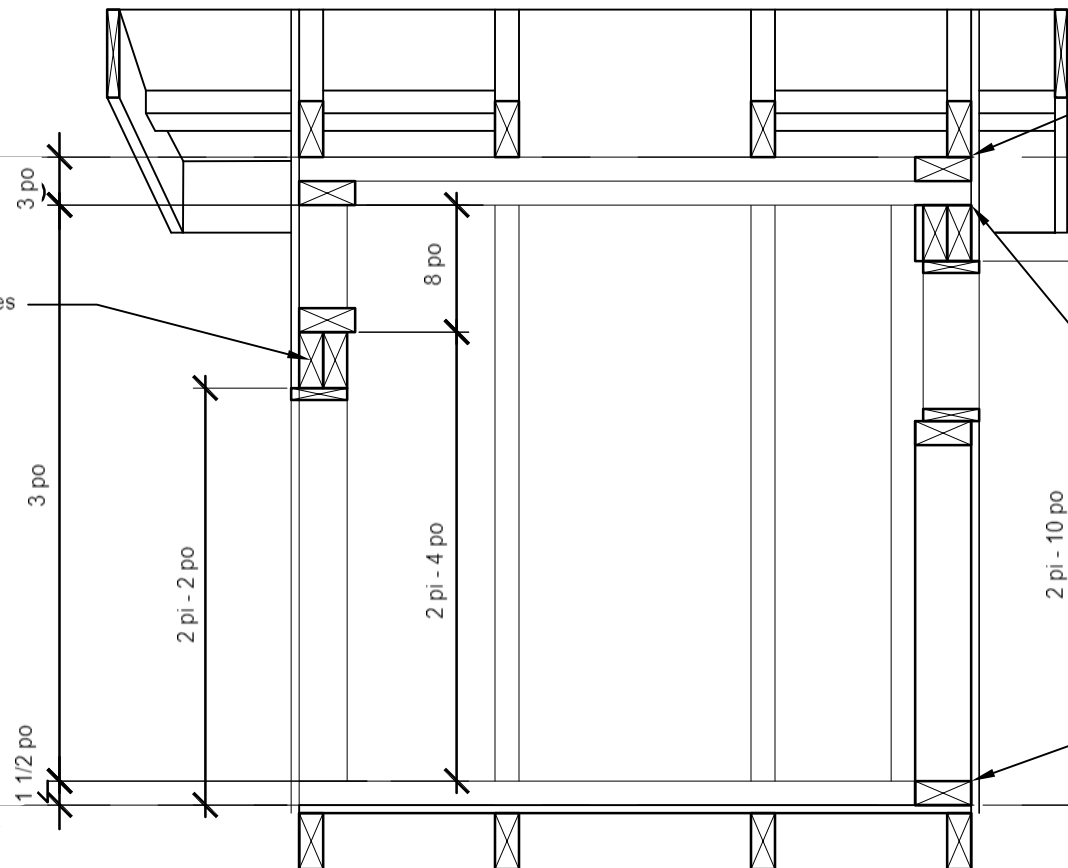
Plan du toit

Échelle : 1 po = 1 pi - 0 po

3 pi 4.5 po

Sous-face de la ferme de toit

Linteau à toutes les ouvertures



Dessus du revêtement de plancher

3
A3

Coupe longitudinale

Échelle : 1 po = 1 pi - 0 po

Plaques de recouvrement transversales

Bordure de toit en bois 1x6

Plaque supérieure double 2x4 po

Montant central 2x4

Montant nain 2x4

Lisse basse 2x4

4
A3

Coupe latitudinale

Échelle : 1 po = 1 pi - 0 po



INDIVIDUAL
CARPENTRY

No.	DATE	REVISION NOTES
-----	------	----------------

PROJECT NAME:
DOG HOUSE
SECONDARY COMPETITION

KINGSTON, ONTARIO

DRAWING NAME:
ROOF PLANS AND
BUILDING SECTIONS

SCALE	1" = 1'-0"
DATE	12/22/2021
PLOT DATE	12/22/2021
DRAWN BY	TOM FALCAO
CHECKED BY	
FILE NAME	SKILLS-DOG-HOUSES
PROJECT NO.	DRAWING NO.
SC1	A3